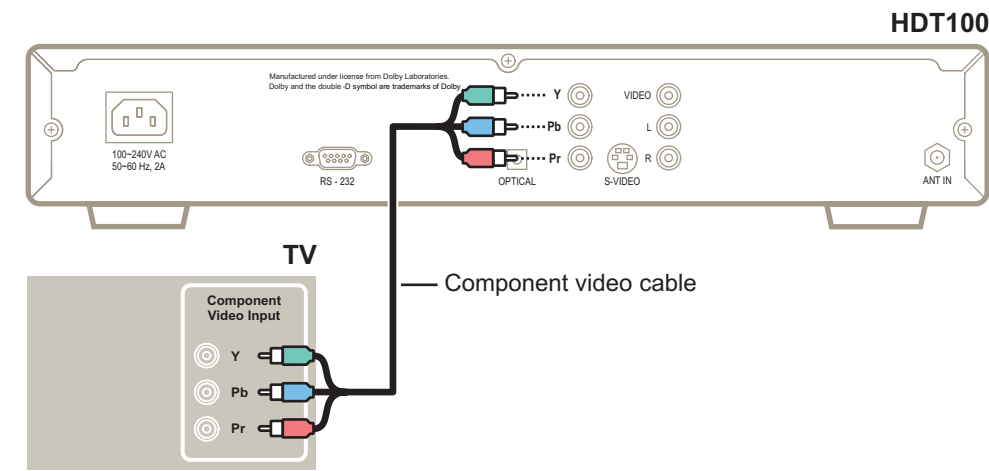


1

Connecting for Component Video (YPbPr)



Component video provides the highest level of picture quality. If your television has component video inputs (Y, Pb and Pr connectors), connect to the component video connections on your HDT100 instead of the VIDEO or S-VIDEO connections. (To connect for S-Video or Composite Video, see the instructions in the HDT100 User Guide.)

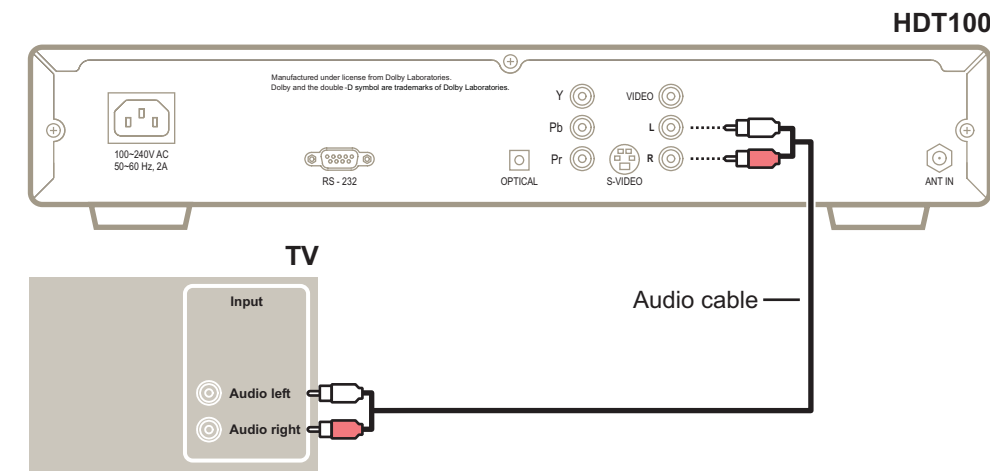
To connect for component video:

- Connect the component video cable supplied with the HDT100 to the **Y**, **Pb**, and **Pr** connectors on your TV and HDT100.

Once you complete your video connections, proceed to the instructions for the audio connections.

2

Audio Connections



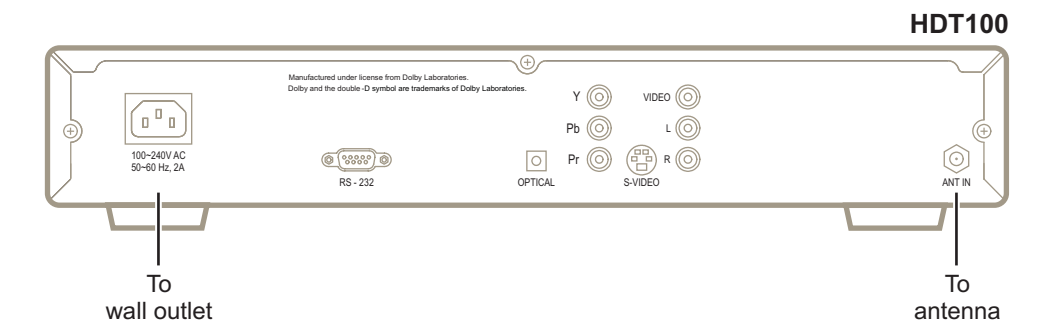
To hook up your audio connections:

- Connect the stereo audio cable supplied with your HDT100 to the **L** and **R** connectors on the HDT100 and the **INPUT AUDIO LEFT** and **RIGHT** connectors on your TV.

Now proceed to the next step - connecting your antenna and power cord.

3

Connecting the Antenna and Power Cord



You can use an outdoor or indoor antenna to receive over-the-air high definition TV signals:

- Connect your antenna's coaxial cable to the **ANT IN** connector on your HDT100.
- Plug the power cord supplied with your HDT100 into the HDT100's power connector and then plug the cord into a wall outlet.

Now that you've completed hooking up your HDT100, log on to the following website to find the digital TV stations in your area and view instructions for positioning your antenna: <http://www.antennaweb.org/>

After visiting the website, proceed to "Auto Scan" below to program your HDT100 with over-the-air digital TV stations.

AUTO SCAN

Before you can start using the HDT100, you need to program it with the station numbers of the over-the-air digital TV stations available in your area. This can be done by simply running **Auto Scan** from the HDT100's on-screen menu **after** you have completed steps 1-3 above.

You can navigate the on-screen menu from the HDT100's front panel or by using the remote control:

- Use the **▲** and **▼** arrow keys to move up and down the on-screen menu
- Use the **SELECT** button to select the highlighted item on the on-screen menu
- Use the **EXIT** button to return to the main menu from a submenu or to leave the main menu

To run auto scan:

- 1 Press the **POWER** button on the HDT100 front panel or remote control to turn on the receiver.
- 2 Press **MENU** on the remote control or **MENU/ENTER** on the front panel. The Menu screen is displayed:



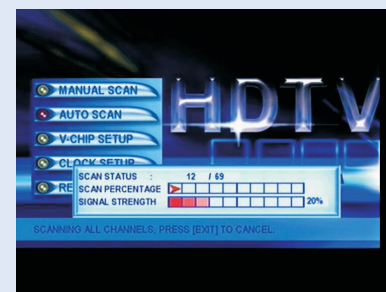
- 3 Using the **▼** arrow key, highlight **Installation** and press **SELECT**. The Password window is displayed.

- 4 Enter the default password: **0000**. The Installation menu is displayed:



- 5 Highlight **Auto Scan** in the Installation menu and press **SELECT**.

The HDT100 starts scanning from Channels 2 to 69. The entire scan will take about four minutes. An indicator is displayed showing the scan's progress:



As each digital TV signal is scanned, you'll see the signal's channel number and program name displayed on the Program List:



The auto scan will end on channel 69.

- 6 Press **EXIT** to return to the main menu.
- 7 Press **EXIT** again to exit the main menu and start enjoying digital TV programs!

If the picture displayed on your TV is too small, use the **A. RATIO** (Aspect Ratio) button on your remote control to change the picture size. Use the **V. FORMAT** button to select the desired Video Format to match your TV.

If you have questions, see the HDT100 User Guide or contact the Motorola Customer Support Center at 1-866-668-2271 or 1-866-MOT-BCS1.