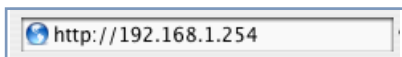


4 Configure Your Netopia Gateway

When you use the Netopia Installation Guide Wizard, it will automatically run your Web browser at the appropriate time, and take you to your Gateway's web-based Quickstart page. If it fails to do this, you can access the configuration pages at any time as follows:

1. Run a Web browser, such as Firefox, Safari, or Microsoft Internet Explorer, and enter <http://192.168.1.254> in the URL Address text box.



Press Return.

2. For security purposes you must create a password for your Gateway. Enter a new password, repeat it, and click the Submit button.

You will be asked to log in to your Gateway with a UserName and Password.

The default UserName is **admin**. Enter the Password you just created. Type these in their respective fields and click **OK**.

The browser displays the **Quickstart** page.

3. Enter the Username and Password assigned to you by your service provider.

Click the **Connect to the Internet** button.

After your Gateway negotiates its connection, you will be redirected to a Netopia web page where you may register your Gateway.

Congratulations! Your connection is up and running and you should be able to browse the Internet by typing a URL address in your browser's Address text box or by selecting any of your favorite bookmarks.

Netopia Part Number: 6180143-AT-01

Copyright 2005, Netopia, Inc. Netopia and the Netopia logo are registered trademarks belonging to Netopia, Inc., registered U.S. Patent and Trademark Office. Broadband Without Boundaries is a trademark belonging to Netopia, Inc. All other trademarks are the property of their respective owners. All rights reserved.

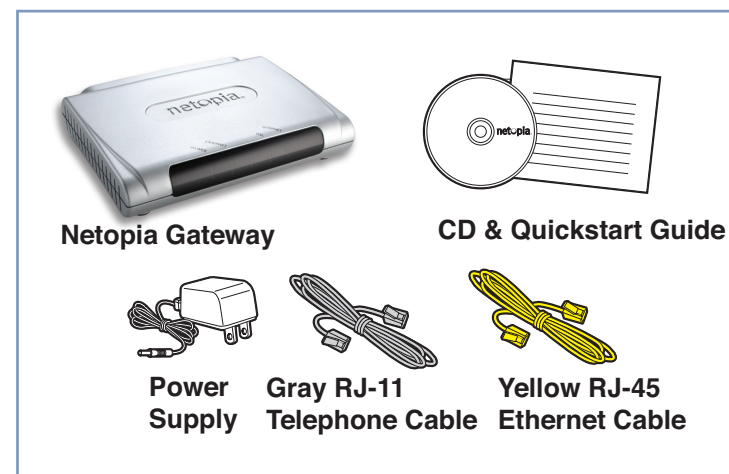
Quickstart Guide

Netopia® 2240N-VGx DSL Gateway

Single-Port Ethernet

1 Checklist

Check your package contents. It should contain the items shown here:



If you don't have everything, contact your supplier immediately.

Technical Support:

If you have any questions or run into any difficulty, answers to many frequently asked product-related questions, as well as full product documentation with advanced configuration instructions, are also available on-line at:

<http://www.netopia.com/support>

The Netopia CD also contains a Documentation folder with Important Safety Instructions and other documentation.

Note the serial number (SN:) of your Gateway. It is located on the label on the bottom of the Gateway below the model number. You will need the Gateway's serial number if you need to call for technical support.

2 Set up your Gateway

1. Decide on a location for the Gateway.

Put the Gateway in a location where air can circulate freely around it.

2. Power the Gateway.

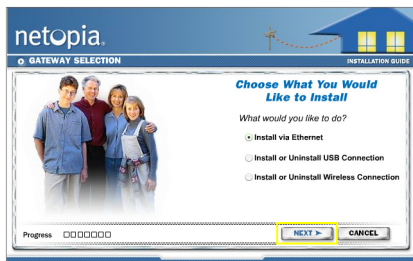
Connect the power supply to the power jack on the back panel of the Gateway. Then, plug the power supply into an electrical outlet. Turn on the Power switch.

The **Power** LED should light solid green.

3. Insert the Netopia CD into your CDROM drive.

The Netopia Installation Guide Wizard automates several tasks to get you up and running easily. Run the Wizard on every Windows-based PC that will connect to your network.

The Installation Guide Wizard should start automatically and the Welcome screen should appear to step through your connection installation(s).



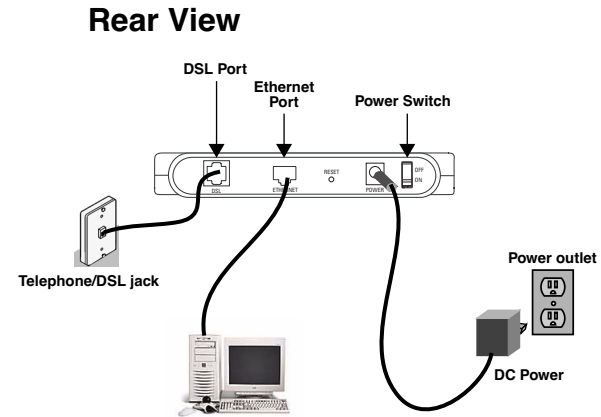
The Installation Guide Wizard lets you choose which type of Netopia device you are installing, and where you are installing it. Choose **Install via Ethernet** and click the **Next** button.

Follow the on-screen instructions to make all of your connections.

3 Configure Your PCs for DHCP

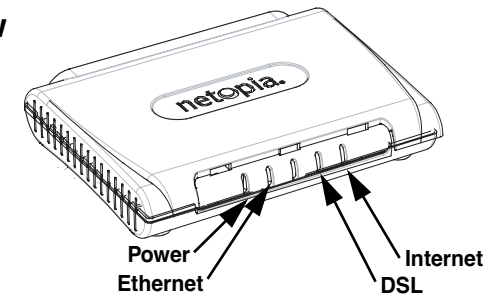
Be sure to configure each computer connected to your Netopia Gateway to accept a Dynamically-assigned IP address, commonly referred to as DHCP.

When all of your connections are made, your connections should look like this:



Note: You will need an extra hub or switch if more Ethernet ports are needed.

Front View



LED	Behavior
Power	Green when power is on. Red if device malfunctions.
Ethernet	Solid green when connected. Flashes green when there is activity on the LAN.
DSL	Solid green when Internet connection is established.
Internet	Solid green when Gateway is connected. Flashes green when transmitting or receiving data on the WAN port.